
BAY CRANE

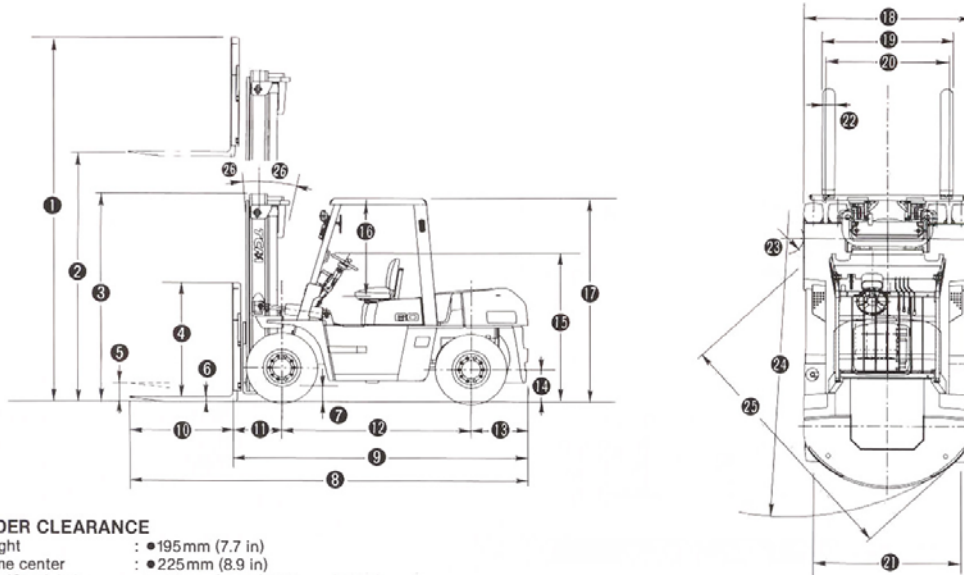
WWW.BAYCRANE.COM

7.5 ton Forklift



TCM FD70 All terrain Forklift Specifications

FD 70Z8



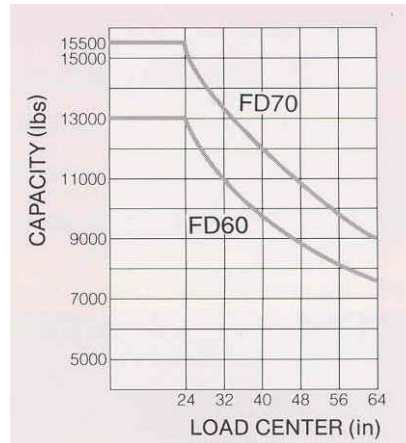
UNDER CLEARANCE

- Upright : ●195mm (7.7 in)
- Frame center : ●225mm (8.9 in)
- Drive/Steel Axle : ●190mm (7.5 in)/245mm (9.7 in)
- Counter weight : ●225mm (8.9 in)

NOTES

- Counter weight height : ●1370mm (53.9 in)
- Load backrest width : ●1995mm (78.5 in)
- Carriage : ●Width 1845mm (72.6 in), ITA mounting Type IV

Model	FD70Z8
	in
① Overall height, Fork Raised (with backrest)	174.0
② Standard lifting height	118.0
③ Mast height, Fork lowered (upright)	98.4
④ Load backrest height	53.5
⑤ Free lift	8.3
⑥ Fork thickness	2.8
⑦ Min. underclearance	7.5
⑧ Overall length (with forks)	190.4
⑨ Overall length (without forks)	141.7
⑩ Fork length	48.0
⑪ Fork overhang	24.6
⑫ Wheelbase	88.6
⑬ Rear overhang	29.1
⑭ Coupler height	16.9
⑮ Machine height (without overhead guard and mast)	70.1
⑯ Overhead guard clearance (from face of seat)★★	43.3
⑰ Overhead guard height★★★	96.5
⑱ Overall width	78.5
⑲ Lateral fork adjustment (outside of forks)	11.8~72.2
⑳ Tread (front)	57.9
㉑ Tread (rear)	66.9
㉒ Fork width	5.9
㉓ Inside turning radius	7.9
㉔ Outside turning radius	132.3
㉕ Min. intersecting aisle	118.9
㉖ Tilt range (forward-backward)	6°—12°



BAY CRANE

STANDARD SPECIFICATIONS

				TCM		
Characteristics	1	Manufacturer				
	2	Model		FD7028		
	3	Loading Capacity		7000 (15500)		
	4	Load Center		600 (24)		
	5	Power Type		Diesel		
	6	Operator Type		Sit Down Rider Type		
	7	Tire Type		Pneumatic		
	8	Wheels (X = driven)		4 × 2		
Dimensions	9	Standard Lifting Height		3000 (118)		
	10	Free Lift		210 (8.3)		
	13	Fork Size		L × W × T 1220 × 150 × 70 (48.0 × 5.9 × 2.8)		
	14	Tilt Range		Fwd / Bwd deg 6 / 12		
	15	Length to Fork Face		mm (in) 3600 (141.7)		
	16	Overall Width		mm (in) 1995 (78.5)		
	17	Mast Height Fork Lowered		mm (in) 2500 (98.4)		
	18	Overall Height, Fork Raised		mm (in) 4420 (174.0)		
	19	Overhead Guard Height***		mm (in) 2450 (96.5)		
	21	Turning Radius (Outside)		mm (in) 3360 (132.3)		
	22	Fork Overhang (Centerline of Front Axle to Front Fork Face)		mm (in) 625 (24.6)		
23	Basic Right Angle Stacking Aisle Width		mm (in) 5620 (221.3)			
Performance	24	Travel Max.	With Load	km / h (mph)	26 (16.1)	
	25		Without Load	km / h (mph)	30 (18.6)	
	25	Lifting	With Load	mm / s (fpm)	460 (90.6)	
			Without Load	mm / s (fpm)	550 (108.3)	
	26	Lowering	With Load	mm / s (fpm)	450 (88.6)	
			Without Load	mm / s (fpm)	500 (98.4)	
28	Max. Drawbar Pull		With / without load	kg (lbs)	5400 (11900) / 2200 (4850)	
29	Gradeability at (1.6km/h or 1 mph)		With Load	% (tan θ)	29	
30	Max. Gradeability**		With / without load	% (tan θ)	33 / 19	
Weight	32	Total Weight		kg (lbs)	9360 (20640)	
	33	Weight Distribution	With Load	Front	kg (lbs)	14530 (32040)
				Rear	kg (lbs)	1830 (4040)
	34	Without Load	Front	kg (lbs)	3750 (8270)	
Rear			kg (lbs)	5610 (12370)		
Brakes and Tires	35	Tire	Number	Front / Rear	4 / 2	
	36		Size	Front	8.25 × 15—14PR	
	37		Rear	8.25 × 15—14PR		
	38	Wheelbase		mm (in)	2250 (88.6)	
	39	Tread	Front	mm (in)	1470 (57.9)	
			Rear	mm (in)	1700 (66.9)	
40	Underclearance	at lowest point		mm (in)	190 (7.5)	
41		at Frame		mm (in)	225 (8.9)	
42	Brake	Service			Hydraulic-Foot pedal	
43		Parking			Mechanical—Hand lever	
Engine and Transmission	45	Battery		Voltage / Capacity 2 × 12V—80AH / 20h		
	49	Make-Model		Isuzu 6BG1		
	50	Rated Horsepower / r.p.m.		82.4kW/2000r.p.m. ; 112PS/2000r.p.m. (SAE GROSS 114HP/2000r.p.m.)		
	51	Internal Combustion Engine		Rate Torque / r.p.m. 417N·m/1500r.p.m. ; 42.5kg·m/1500r.p.m. (SAE 307.4ft·lbs/1500r.p.m.)		
	52	Number of Cylinder		6		
		Displacement		lit (cu-in) 6.494 (396.3)		
		Fuel Tank Capacity		lit (US gal) 140 (37.0)		
55	Transmission		Number of Speed Fwd / Rvs—Type 2 / 2—Automatic Power shift			
57	Operating Pressure		For Attachment kg / cm ² (psi) 200 (2844)			

BAY CRANE