

BAY CRANE

N O R T H E A S T

5,000# Forklift



Genie GTH-5519
Load Charts & Specs

Specifications

Model	GTH™-5519	
Measurements	US	Metric
Maximum lift height	19 ft	5.79 m
Maximum forward reach	11 ft	3.35 m
Reach at maximum height	2 ft	0.61 m
A Height, stowed	6 ft 4 in	1.93 m
B Length, stowed (without forks)	12 ft 7 in	3.84 m
Width	5 ft 11 in	1.80 m
C Wheelbase	7 ft 7 in	2.32 m
D Ground clearance, center	1 ft 1 in	0.33 m
E Ground clearance, axle	10 in	0.25 m
Fork cross section	1.6 x 4 in	40 x 100 mm

Productivity

Maximum lift capacity	5,500 lbs	2,500 kg
Lift capacity at maximum height	4,400 lbs	1,995 kg
Lift capacity at maximum reach	1,900 lbs	862 kg
Drive speed	15 mph	24.1 km/h
Draw bar pull	9,300 lbs	4,225 kg
Break out force	8,100 lbs	3,674 kg
Turning radius, outside (4WS)	11 ft	3.35 m
Auxiliary hydraulic flow	18.5 gpm	70 lpm
Auxiliary hydraulic pressure	3,918 psi	270 bar
Tires, standard size	12 x 16.5 in, 10 ply	

Power

Power source	Perkins 804D-33 4 cylinder diesel 63 hp (47.0 kW) Deutz D 2011 4 cylinder diesel 67 hp (50.0 kW)	
Electrical system	System voltage 12 volt Alternator 95 amp Battery 720 CCA at 0°F (-18°C)	
Hydraulic tank capacity	16.4 gal	62 L
Hydraulic system capacity (w/tank)	25 gal	95 L
Fuel tank capacity	15.9 gal	60 L

Weight*

	9,820 lbs	4,454 kg
--	-----------	----------

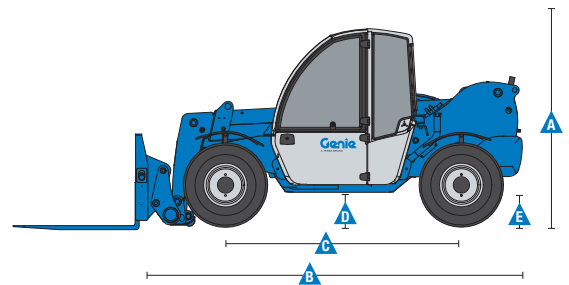
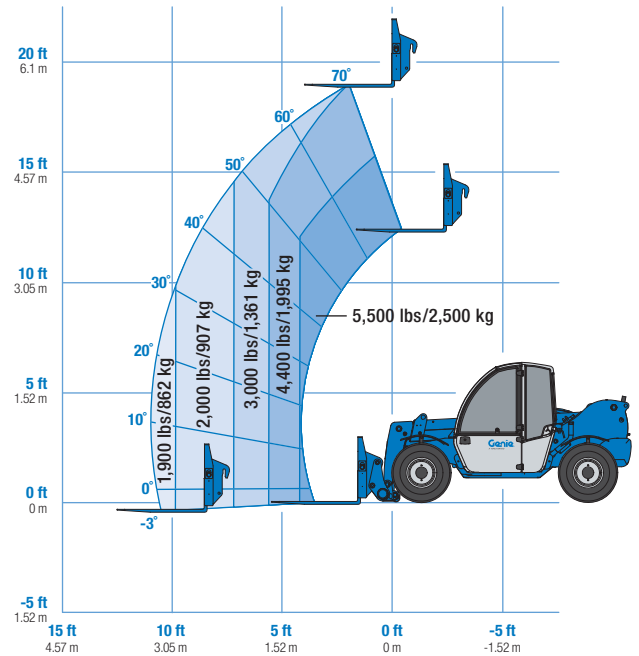
Standards Compliance

ANSI/ITSDF B56.6, CSA B335

* Weight will vary depending on options and/or country standards.

** Load ratings vary depending on attachment.

Load Chart GTH™-5519**



Features

Standard Features

Measurements

- 5,500 lb (2,500 kg) maximum lift capacity
- 19 ft (5.79 m) maximum lift height
- 11 ft (3.35 m) maximum reach

Productivity

- Full time planetary 4-wheel drive
- 4WS
- Operator selectable front, crab, coordinated steering modes
- Auxiliary hydraulic circuit
- Proportional, reversible, continuous auxiliary hydraulic flow control
- Genie manual Quick-Attach™ system
- Power assisted steering
- Variable speed hydrostatic drive
- Limited slip front axle differential
- Inboard wet disc service brakes
- Wet disc spring applied parking brake
- 12 x 16.5 in, air-filled rough terrain tires
- Fenders (set of 4)
- ROPS/FOPS canopy (ISO compliant)
- Single multi-function proportional joystick
- Tilt steering column
- Illuminated gauge and switch panels
- Machine level indicator
- Right-side screen guard
- 48 inch carriage and pallet forks
- Boom angle indicator
- Reverse motion alarm
- 3 in retractable seat belt

Options & Accessories

Productivity Options

- Enclosed cab, includes split door, emergency exit, clip-in glass inserts, front wiper and tank, cab heater
- Cab air conditioner
- Adjustable suspension seat
- Flashing beacon
- Work lights (1 cab mounted front, 1 boom mounted)
- Road lights (2 front, 2 rear stop/turn/tail)

Engine Options

- Perkins 63 hp (47 kW) diesel engine
- Deutz 67 hp (50 kW) diesel engine

Tire Options

- 12 x 16.5 in, semi-pneumatic solid rough terrain tires
- 12 x 16.5 in, foam-filled tires

Attaching System Options

- Universal skid steer adapter
- Auxiliary hydraulic back pressure
- Hydraulic quick attach

Options & Accessories

Attachment Options

- Carriages
 - 48 in (1.22 m) side shift carriage, +/- 4 in (10 cm)
 - 48 in (1.22 m) rotating fork carriage, +/- 14°
- Forks (in addition to standard 48 in pallet forks)
 - 60 in (1.52 m) forks
 - 48 in (1.22 m) forks (ITA type)
 - Cubing tines, 2 x 2 x 48 in (.05 x .05 x 1.22 m)
- Buckets
 - 66 in bucket with bolt-on cutting edge, .50/.65 yd3 struck/heaped
 - 60 in bucket with bolt-on cutting edge, .65/.75 yd3 struck/heaped
 - 78 in, .68 yd3 scrap grapple bucket
- 6 ft truss boom



Genie United States

18340 NE 76th Street
P.O. Box 97030
Redmond, Washington 98073-9730
Telephone +1 (425) 881-1800
Toll Free in USA/Canada +1 (800)-536-1800
Fax +1 (425) 883-3475

Genie Europe

The Maltings
Wharf Road
Grantham NG31 6BH
UK
Telephone +44 (0)1476 584333
Fax +44 (0)1476 584334
Email: AWP-InfoEurope@terex.com

Distributed By:

Effective Date: January, 2013. Product specifications and prices are subject to change without notice or obligation. The photographs and/or drawings in this document are for illustrative purposes only. Refer to the appropriate Operator's Manual for instructions on the proper use of this equipment. Failure to follow the appropriate Operator's Manual when using our equipment or to otherwise act irresponsibly may result in serious injury or death. The only warranty applicable to our equipment is the standard written warranty applicable to the particular product and sale and we make no other warranty, express or implied. Products and services listed may be trademarks, service marks or trade names of Terex Corporation and/or their subsidiaries in the USA and many other countries. Genie is a registered trademark of Terex South Dakota, Inc. © 2013 Terex Corporation.



Northeast Operations

New York City

Bay Crane Service Inc.

11-02 43rd Avenue
Long Island City, NY 11101
718.392.0800 Tel.
718.349.6681 Fax
info@baycrane.com
www.baycrane.com

Long Island

Bay Crane Service of Long Island Inc.

389 New South Road
Hicksville, NY 11801
516.937.1523 Tel.
516.937.3672 Fax
info@baycrane.com
www.baycrane.com

Connecticut

Bay Crane Service of CT Inc.

37 Nettleton Road
North Haven, CT 06473
203.785.8000 Tel.
203.785.8007 Fax
ct@baycrane.com
www.baycrane.com

Rhode Island

Bay Crane Northeast Inc.

275 George Washington Hwy
Smithfield, RI 02917
401.349.2755 Tel.
401.349.2799 Fax
ne@baycrane.com
www.baycrane.com

Massachusetts

Bay Crane Northeast Inc.

88 Freeport Street
Dorchester, MA 02122
617.888.8636 Tel.
ne@baycrane.com
www.baycrane.com